

(12) UK Patent

(19) GB

(11) 2556418

(13) B

(45) Date of B Publication

28.11.2018

(54) Title of the Invention: **Brace**

(51) INT CL: **A61F 5/055** (2006.01)

(21) Application No: **1715220.8**

(22) Date of Filing: **21.09.2017**

(30) Priority Data:

(31) **1616282** (32) **26.09.2016** (33) **GB**

(43) Date of A Publication **30.05.2018**

(56) Documents Cited:

US 5785670 A **US 5195944 A**
US 20110066094 A1 **ZA 008002624 A**

(58) Field of Search:

As for published application 2556418 A viz:
INT CL **A61F**
Other: **WPI, EPODOC, Patent fulltext**
updated as appropriate

Additional Fields

Other: **None**

(72) Inventor(s):

Judith Hall
Stephen John Gill
Gareth Hugh Loudon
Clara Watkins

(73) Proprietor(s):

University College Cardiff Consultants Ltd
(Incorporated in the United Kingdom)
7th Floor, 30-36 Newport Road, CARDIFF, CF24 0DE,
United Kingdom

Cardiff Metropolitan University
Llandaff Campus, Western Avenue, Cardiff, CF5 2YB,
United Kingdom

(74) Agent and/or Address for Service:

Symbiosis IP Limited
Basepoint Business Centre, Vale Business Park,
Crab Apple Way, EVESHAM, Worcestershire,
WR11 1GP, United Kingdom

GB 2556418 B

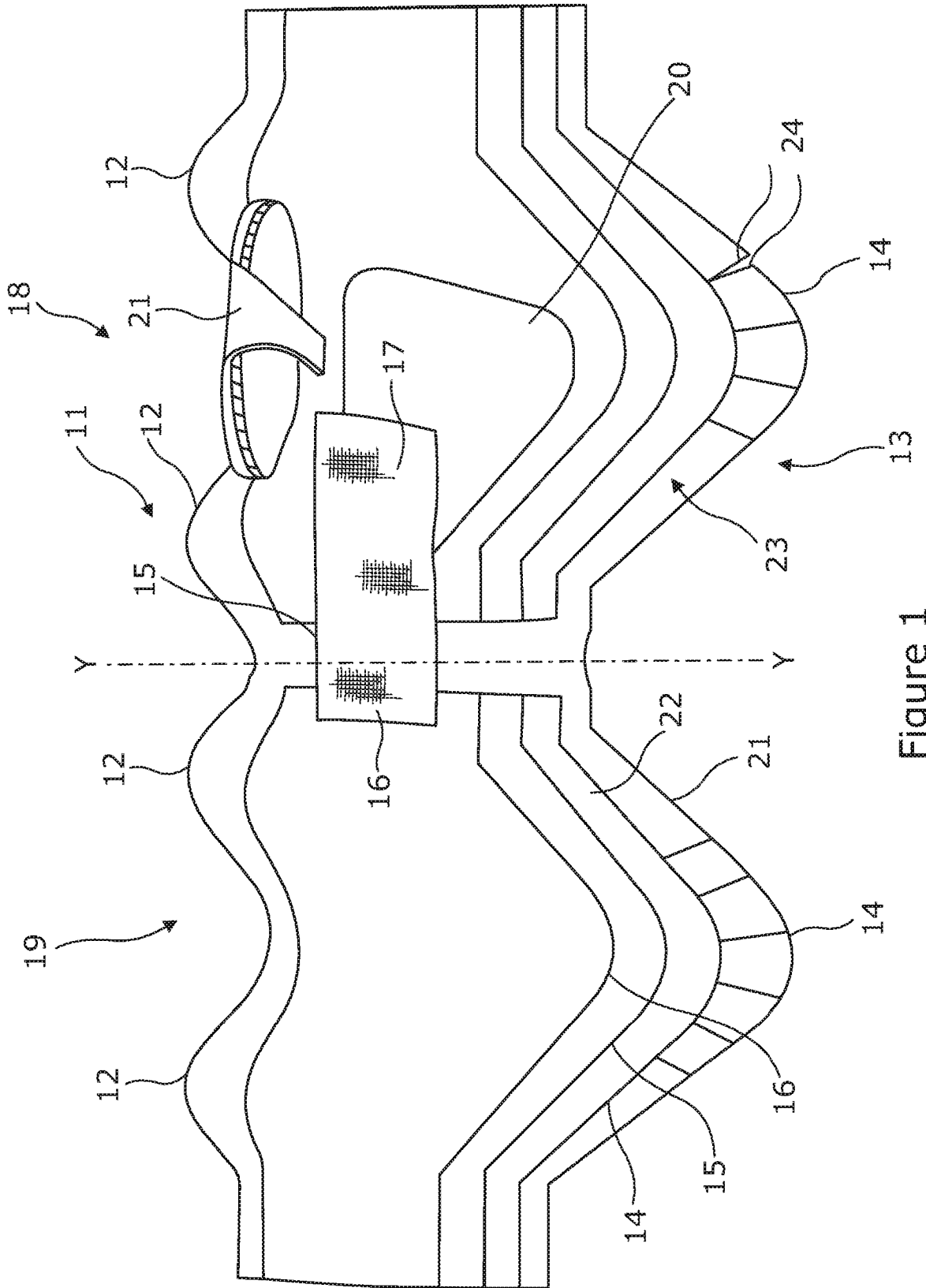


Figure 1

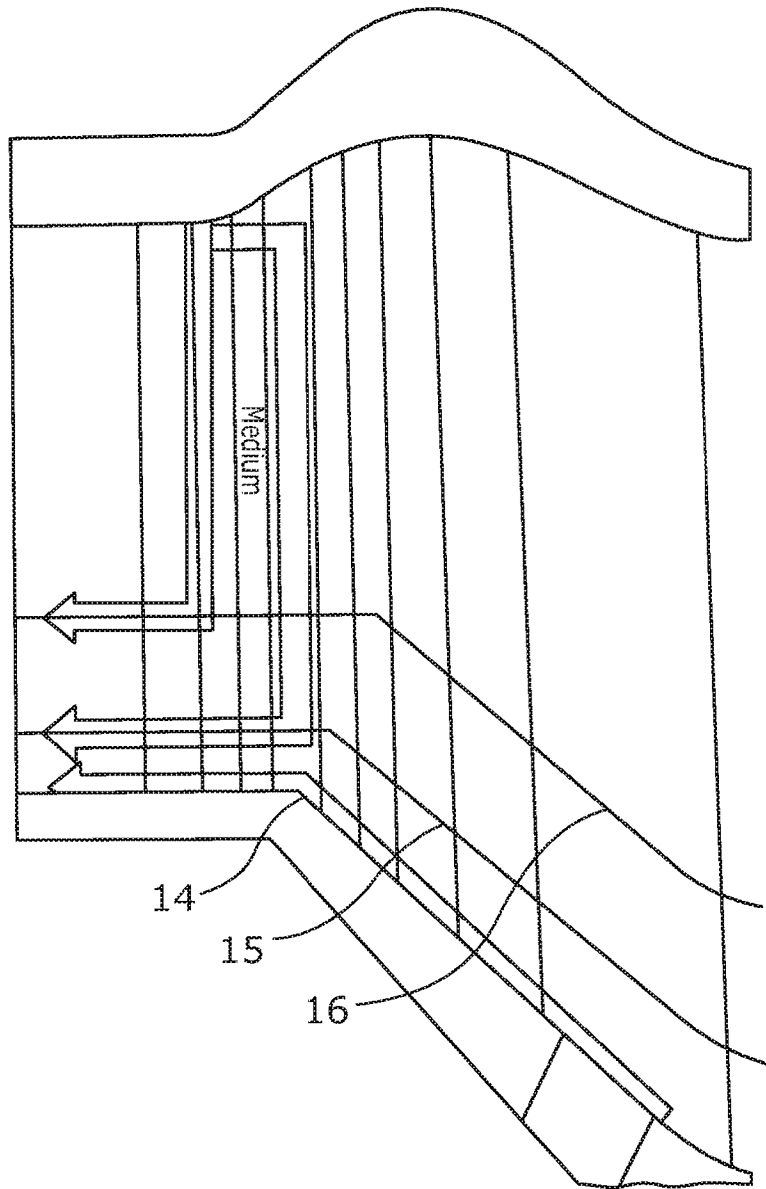


Figure 2

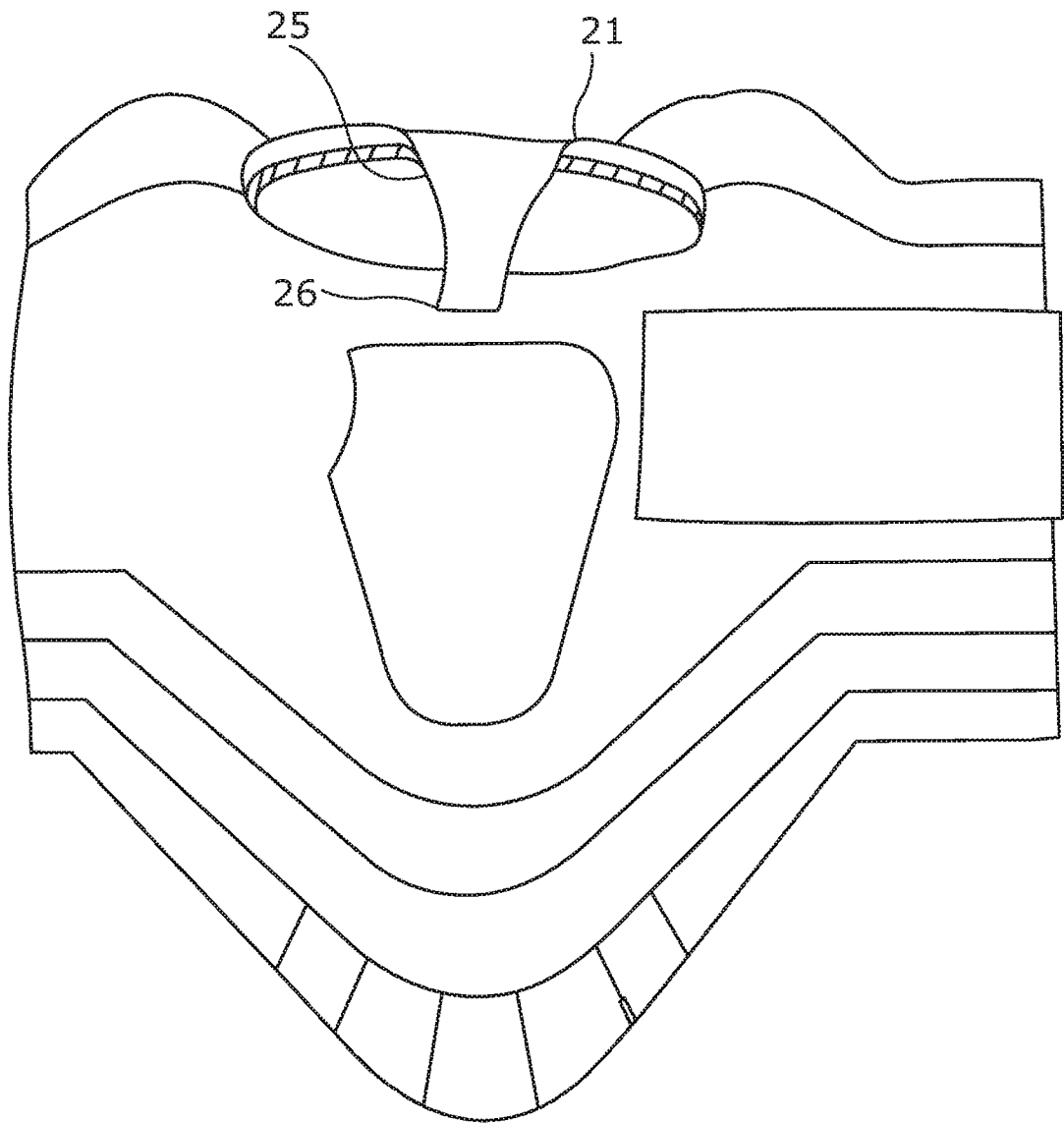


Figure 3

Brace

Field of the Invention

5 The invention concerns a neck brace, ideally but not exclusively disposable, formed from a blank and wherein the brace is contoured to fit about a wearer and comprises at least one, or a series of, crease line(s) that mirror(s) the contour of at least one edge of said brace and spaced from same by a selected amount whereby said edge can be folded or torn along at least one selected crease line to fit a wearer.

10 Background of the Invention

Medical braces can be essential items of equipment during instances of medical emergencies, for example, following a road traffic accident or a natural disaster or during times of conflict. In these instances, if assisting personal can secure a body part before transporting an injured person to a medical facility the outcome for the patient can be greatly improved.

15 However, having access to medical braces and carrying them to sites of use can be problematical. Moreover, different sized individuals need different sized braces and so a range of such braces need to be transported to a site of use and the correct size selected and distributed in what can be hazardous and stressful conditions.

20 It follows that if it was possible to provide a light-weight but effective brace, whose size could be easily adjusted when used *in situ*, it would greatly help the emergency services to carry out their task of securing injured individuals prior to transporting them to a hospital for receiving further care.

The invention therefore provides such a brace.

Statements of the Invention

30 According to a first aspect, there is provided a neck brace formed from a blank having an axis of symmetry along a mid-line and either side thereof a front and rear section each section comprising:

i) a lower edge, an upper edge, an inner side edge and an outer side edge wherein said lower edge is fashioned to provide a single wave formation and said upper edge is

fashioned to provide two wave formations and an axis of symmetry of said single wave formation is aligned with an axis of symmetry of said two wave formations;

ii) and further wherein at least one, or a series of, crease line(s) that mirror(s) the contour of at least said lower edge is/are provided and spaced from said lower edge by a selected amount whereby said lower edge can be folded or torn along at least one selected crease line to fit a user;

iii) attached to or associated with said front and rear section, near or at said front and rear side outer edges, is at least one fastening member; and

attached to or associated with said upper edge of said front section is a chin supporting member.

In a preferred embodiment said brace is a disposable brace. Not with standing this fact, the brace may be worn for several days if there is not the equipment or opportunity, or even if it is not safe enough, to move the patient or indeed even if there is not suitable medical staff to have the cervical spine 'cleared' i.e. to get a full x-ray of all 7 cervical vertebrae.

In a preferred embodiment said chin supporting member is positioned between adjacent wave formations and, ideally, said chin supporting member is also provided by said blank and comprises a piece thereof which is hingedly attached to said front section for pivoting into position. Alternatively, said chin supporting member is also provided by said blank and comprises a piece thereof which is releasably attached to said front section whereby, in use when attached, it projects forward from said front section.

In a further preferred embodiment said neck brace has between said side inner edges of said front and rear sections at least one adjustment member whereby the said inner edges of said front and rear sections can be brought together by a selected amount. Preferably, said adjustment member comprises a strap and associated restraining member.

In yet a further preferred embodiment said blank is formed from a stiff but flexible material. Preferably, said material is cardboard and, more ideally, a corrugated material such as corrugated cardboard or bubble board. Alternatively, said material is a modified plastic, such as a corrugated plastic material for example Correx™.

Yet more preferably, said blank is formed from at least two materials comprising: a first stiff but flexible material and a second flexible material. Preferably, said materials are overlain and, ideally, said first stiff but flexible material is cut in the same shape as said second

flexible material but is smaller whereby, when overlain, the said second flexible material provides a margin about said first flexible material.

In yet a further embodiment of the invention said lower edge is provide with at least one cut or tear. Preferably, said lower edge is provided with a plurality of cuts or tears extending inwards from said edge and, ideally, said cuts or tears are at right angles with respect to said lower edge. Most preferably, said cut(s) or tear(s) is/are provided in the region of a peak of said single wave formation.

In the instance where said two materials are overlain, said cut(s) or tear(s) is/are provided in the said second flexible material.

More preferably still, said crease line(s) mirror(s) the contour of at least said lower edge and also at least one side edge but is/are spaced therefrom by a selected amount. Preferably, said crease line(s) mirror(s) the contour of at least said lower edge and also said front and rear inner and/or outer side edges but is/are spaced therefrom by a selected amount.

In a preferred embodiment three of said crease lines are provided and they are designated, from the lower edge and/or side edge(s) inwards: large medium and small.

In yet another preferred embodiment said crease line(s) is/are also perforated whereby the outer part(s) can be torn away from the main body of the brace.

Preferably, said front section has an opening located in said brace so that, in use, it is aligned with a throat of a wearer.

In a preferred embodiment said fastening member comprises complementary mating members. Preferably, said fastening member comprises a member selected form the group comprising: Velcro ®, clasp members, hook/eye members, stud/socket members, magnetic members and adhesive members.

In the claims which follow and in the preceding description of the invention, except where the context requires otherwise due to express language or necessary implication, the word “comprises”, or variations such as “comprises” or “comprising” is used in an inclusive sense

i.e. to specify the presence of the stated features but not to preclude the presence or addition of further features in various embodiments of the invention.

All references, including any patent or patent application, cited in this specification are hereby incorporated by reference. No admission is made that any reference constitutes prior art. Further, no admission is made that any of the prior art constitutes part of the common general knowledge in the art.

Preferred features of each aspect of the invention may be as described in connection with any of the other aspects.

Other features of the present invention will become apparent from the following examples. Generally speaking, the invention extends to any novel one, or any novel combination, of the features disclosed in this specification (including the accompanying claims and drawings). Thus, features, integers, characteristics, compounds or chemical moieties described in conjunction with a particular aspect, embodiment or example of the invention are to be understood to be applicable to any other aspect, embodiment or example described herein, unless incompatible therewith.

Moreover, unless stated otherwise, any feature disclosed herein may be replaced by an alternative feature serving the same or a similar purpose.

Throughout the description and claims of this specification, the singular encompasses the plural unless the context otherwise requires. In particular, where the indefinite article is used, the specification is to be understood as contemplating plurality as well as singularity, unless the context requires otherwise.

An embodiment of the present invention will now be described by way of example only with reference to the following wherein:

Figure 1 is a plan view of a neck brace in accordance with the invention;

Figure 2 is a partial plan view of a neck brace in accordance with the invention where the crease or tear lines are numbered having regard to their position from the edge of the brace; and

Figure 3 shows a front plan view of the neck brace with the chin support attached.

Specific description

5 Referring now to figure 1 there is shown a part of a blank that has been cut to form the outline of a neck brace. It has an axis of symmetry along its shortest axis Y, providing to either side thereof a front 18 and rear 19 section. The brace has an upper part terminating in an upper curved edge 11 which defines a number of upper wave forms 12. The brace also has a lower part terminating in a lower curved edge 13 which defines a number of lower
10 wave forms 14. Inward of edges 11 and/or 13 (although only shown with respect to edge 13) are a series of crease lines 14, 15 and 16 which are ideally perforated whereby, in use, the crease lines can be used to fold back parts of the brace to reduce its size or tear away parts of the brace to also reduce its size. Notably, four upper wave forms 12 are provided and two lower wave forms 14 are provided, further the axis of symmetry of wave form 14 is aligned
15 with a mid-point between wave forms 12.

15 06 18 The neck brace also has an adjustment member, in this embodiment, in the form of an adjustable tag 16 and fastener 17 whereby the distance between the front 18 and rear 19 sections of the collar can be adjusted. Front section 18 further comprises a cut-out 20
20 located in said brace so that, in use, the cut-out sits in front of the throat of a wearer. Cut-out 20 can therefore be used to give access to the trachea for emergency tracheostomy. Above cut-out 20 there is provided a chin support 21. Chin support 21 is either cut from the blank and folded into position using a crease line or it represents a separate piece of material that is attached in conventional fashion to the brace prior to use.

25 Referring to figure 2, the neck brace also has a series of markings: crease lines 14, 15 and 16 which are spaced from lower edge 13. Thus in use, one of crease lines 14, 15 and 16 can be selected to fold or reduce the size of the brace to provide a neck brace of a selected size or, by removing extraneous brace material, one of crease lines 14, 15 or 16 can be selected
30 to tear and so reduce the size of the brace to provide a neck brace of a selected size.

The brace is made from a stiff but flexible material so that prior to use it can be folded into a transportable size.

Typically the brace is made from two piece of overlain material: a relatively stiff material and a relatively flexible material. Ideal materials include paper, cardboard, plastics, foam, corrugated materials etc.

5 The relatively flexible material is cut into the same shape as the relatively stiff material but of a larger size so that when the two materials are overlain the relatively flexible material forms an outer margin. This is illustrated in Figure 1 where the relatively flexible material is shown as 21 and the relatively stiff material is shown as corrugated card 22. The margin 23 is provided with one or more cuts 24 to facilitate the folding of same.

10

In figure 3, the chin support of the neck brace is illustrated, in this embodiment the chin support 21 is shown as a separate attachment in the form of an elliptical member that is attached to the main body of the brace, front section 18, toward upper side 11 using a strap 25 that fits through a slit 26 in the brace and is fastened to the opposite side of front section 18 in conventional fashion. Although not shown, chin support 21 may be an integral part of section 18 and represents an extended part of upper side 11 that is simply folded down when in use.

15

In use, an emergency kit comprises at least one neck brace. Due to the light weight of the materials the brace can be transported relatively easily to a site of use then once the brace is unfolded its size can be adjusted by folding the brace along one of the selected crease lines in order to reduce its size. In the instance where the crease lines are perforated, a user can tear the brace along a selected crease line in order to provide a brace of an appropriate size.

20

25

The invention thus elegantly deals with a need to provide emergency support in times of crisis for a number of people whose requirements differ.

30

15 06 18

Claims

- 5
1. A neck brace formed from a blank having an axis of symmetry along a mid-line and either side thereof a front and rear section each section comprising:
- 10
- i) a lower edge, an upper edge, an inner side edge and an outer side edge wherein said lower edge is fashioned to provide a single wave formation and said upper edge is fashioned to provide two wave formations and an axis of symmetry of said single wave formation is aligned with an axis of symmetry of said two wave formations;
- 15
- ii) and further wherein at least one, or a series of, crease line(s) that mirror(s) the contour of at least said lower edge is/are provided and spaced from at least said lower edge by a selected amount whereby at least said lower edge can be folded or torn along at least one selected crease line to fit a user;
- 20
- iii) attached to or associated with said front and rear section, near or at said front and rear side outer edges, is at least one fastening member; and attached to or associated with said upper edge of said front section is a chin supporting member.
2. The brace according to claim 1 wherein said chin supporting member is positioned between adjacent wave formations.
3. The neck brace according to claim 1 or 2 wherein said chin supporting member is also provided by said blank and comprises a piece thereof which is hingedly attached to said front section for pivoting into position.
- 25
4. The neck brace according to claim 1 or 2 wherein said chin supporting member is also provided by said blank and comprises a piece thereof which is releasably attached to said front section whereby, in use when attached, it projects forward from said front section.
- 30
5. The neck brace according to any one of claims 1-4 wherein at or between said side inner edges of said front and rear sections is provided at least one adjustment member whereby the said inner edges of said front and rear sections can be brought together by a selected amount.
- 35
6. The neck brace according to claim 5 wherein said adjustment member comprises a strap and associated restraining member.
7. The brace according to any one of the preceding claims wherein said blank is formed from a stiff but flexible material.
8. The brace according to claim 7 wherein said material is cardboard.

9. The brace according to any one of the preceding claims wherein said blank is a corrugated material.
10. The brace according to any one of the preceding claims wherein said blank is formed from at least two materials comprising: a first stiff but flexible material and a second flexible material.
11. The brace according to claim 10 wherein said materials are overlain.
12. The brace according to claims 11 wherein said first stiff but flexible material is cut in the same shape as said second flexible material but is smaller whereby, when overlain, the said second flexible material provides a margin about said first flexible material.
13. The brace according to any one of the preceding claims wherein said lower edge is provide with at least one cut or tear.
14. The brace according to claim 13 wherein said lower edge is provided with a plurality of cuts or tears extending inwards from said edge.
15. The brace according to claim 14 wherein said cuts or tears are at right angles with respect to said lower edge.
16. The brace according to any one of claims 13-15 wherein said cut(s) or tear(s) is/are provided in the region of a peak of said single wave formation of said lower edge.
17. The brace according to any one of claims 13-15, when dependent on claim 12, wherein said cut(s) or tear(s) is/are provided in the said second flexible material.
18. The brace according to any one of the preceding claims wherein said crease line(s) mirror(s) the contour of at least said lower edge and also at least one side edge but is/are spaced therefrom by a selected amount.
19. The brace according to any one of claims 1-18 wherein said crease line(s) mirror(s) the contour of at least said lower edge and also said front and rear inner and/or outer side edges but is/are spaced therefrom by a selected amount.
20. The brace according to any one of claims 1-19 wherein said crease line(s) mirror(s) the contour of at least said lower edge and also said upper edge but is/are spaced therefrom by a selected amount.
21. The brace according to any one of the preceding claims wherein three of said crease lines are provided and they are designated, from the lower or upper edge and/or side edge(s) inwards: large medium and small.
22. The brace according to any one of the preceding claims wherein said crease line(s) is/are also perforated whereby the outer part(s) can be torn away from the main body of the brace.

23. The neck brace according to any one of claims 1-22 wherein said front section has an opening located in said brace so that, in use, it is aligned with a throat of a user.
24. The brace according to any one of the preceding claims wherein said fastening member comprises complementary mating members.
- 5 25. The brace according to claim 24 wherein said fastening member comprises a member selected from the group comprising: clasp members, hook/eye members, stud/socket members, magnetic members and adhesive members.
26. The brace according to any one of the preceding claims wherein said brace is disposable.

10